



Technical comercial data

N-4.6 T.N-4.6

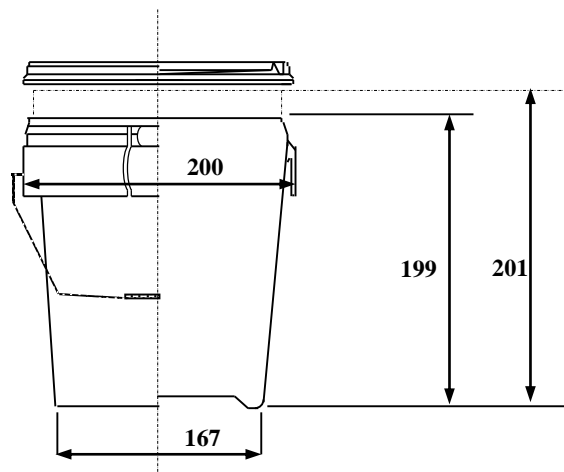
Serie NOVA – Versión 21-02-2024

TECHNICAL DATA:

Material:	PP copolymer of first quality, suitable for contact with food according to current regulations.
Colours:	White standard. Consult for other colours.
Useful Volume:	4.0 litres
Volume to the edge:	4.75 litres
Weight of the bucket:	197 g. approx.
Weight of the lid:	52 g. approx.
Weight of the handle (plastic):	8 g. approx.
Total Weight:	257 g. approx.
Decorative surface flat inks:	132 x 555 mm (height x perimeter)
Design surface photographic finish:	140 x 555 mm (height x perimeter)



MEASUREMENTS:



Measurements in millimetres

GROUPING OF TRANSPORT:

Buckets:	750 buckets per pallet
Pallet dimensions:	1250 x 1025 x 1170 (see drawing)
Lids:	250 lids per box, this serves as a packaging of transportation
Box dimension:	445 x 210 x 915

